

# PROGRAMMABLE CRYSTAL OSCILLATOR

## SPO-5032B *New Product*



### Applications

- Any frequency

### Features

- One time programmable
- PLL circuit provides wide frequency range application (1-200MHz)
- Low power consumption design
- Low jitter design with new developed IC
- High frequency capable device

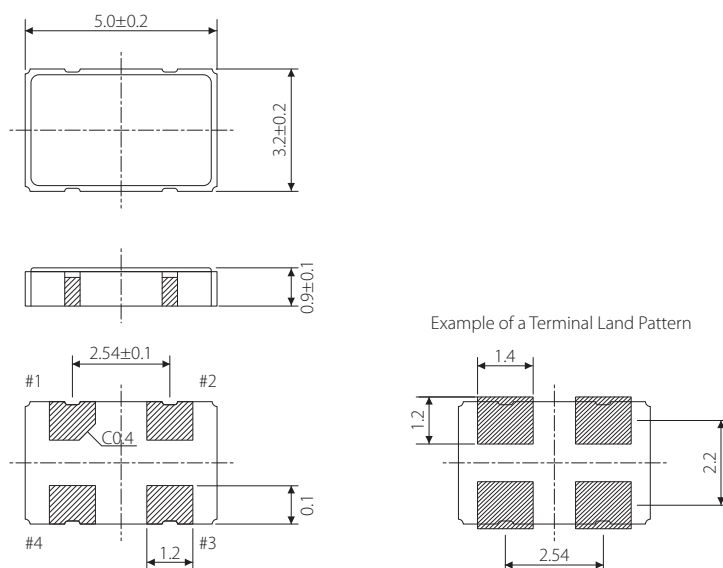
### Specifications



Model	SPO-5032B
Nominal Frequency range	1MHz to 110MHz / 1.8V, 1MHz to 166MHz / 2.5V, 1MHz to 200MHz / 3.3V
Storage temperature range	-55 to +125 °C
Operating temperature range	-40 to +85 °C
Frequency stability	$\pm 30 \times 10^{-6}$ , $\pm 50 \times 10^{-6}$ , $\pm 100 \times 10^{-6}$
Power supply voltage (Vdd)	+1.8V DC $\pm 10\%$ ~ +3.3V DC $\pm 10\%$
Current consumption	30mA max
Output level	C-MOS
Load	15pF
Output voltage level	V <sub>OL</sub> : 10%Vdd max. / V <sub>OH</sub> : 90%Vdd min.
Rise & Fall time	5ns max. / 10%Vdd - 90%Vdd
Duty cycle	45 to 55% / 2.5 to 3.3V 40 to 60% / 1.8V at 1/2Vdd
Jitter (1sigma)	100ps max.
Tri-state Function	#1: Floating. or "H"→Output enable / #1: "L"→Output disable(Hi-Z)

Package quantity: 1,000pcs max./Reel.

### Outline and Dimensions [unit:mm]



Terminal	Connection
#1	Tri-state or N.C
#2	GND
#3	OUTPUT
#4	Vdd

#### Tri-state Function

Tri-state Pin	Output
High or Floating	Active
Low	Hi-Impedance